

**HEULE**

**WERKZEUG AG**

**NEW**

**SNAP2**

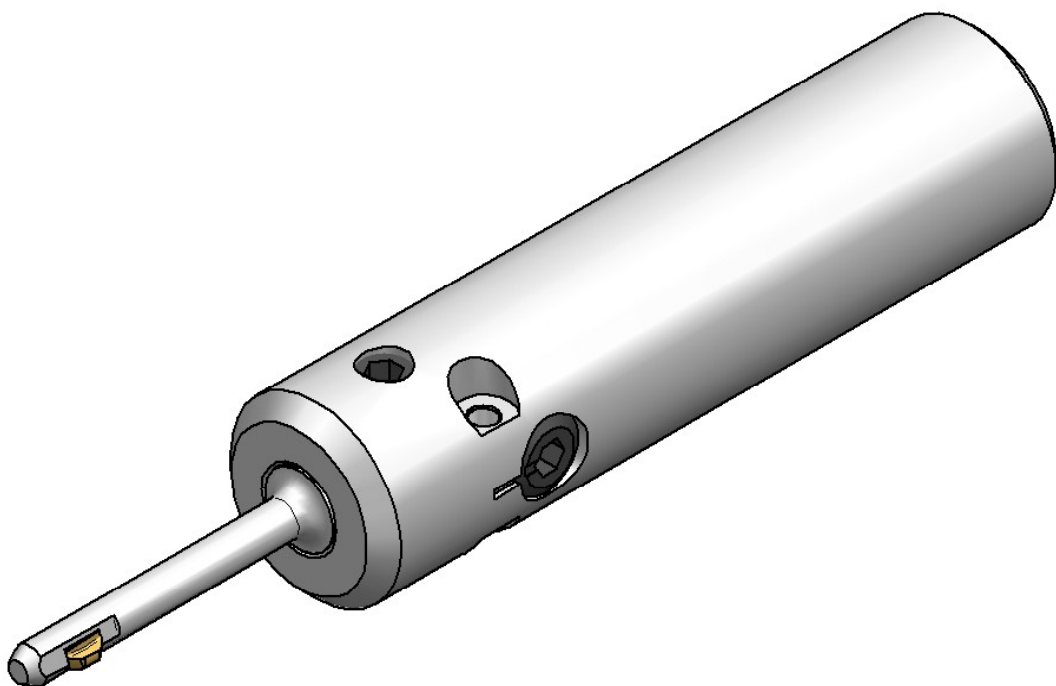
**ø2.0 – ø2.9**

**SNAP3**

**ø3.0 – ø3.9**

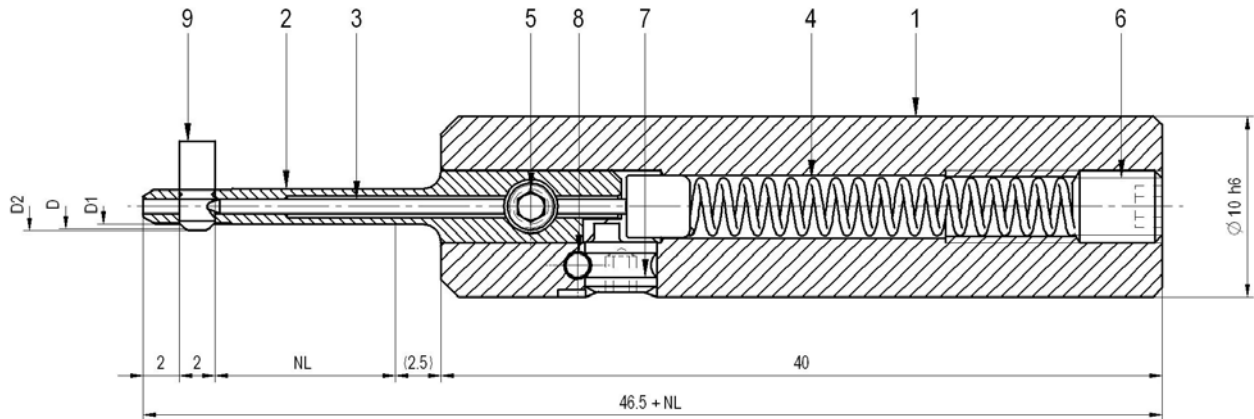
**SNAP4**

**ø4.0 – ø5.0**



[www.heule.com](http://www.heule.com)

### SNAP2 tool $\varnothing 2.0\text{mm}$ bis $2.9\text{mm}$



| Tool table          |                            |                     |                        |                             |              |
|---------------------|----------------------------|---------------------|------------------------|-----------------------------|--------------|
| Bore- $\varnothing$ | max chamfer- $\varnothing$ | Tool- $\varnothing$ | Maximal- $\varnothing$ | complete tool without blade |              |
| d                   | D                          | D1                  | D2                     | NL 10mm                     | NL 20mm      |
| 2.0                 | 2.4                        | 1.95                | 2.6                    | SNAP2/2.0/10                | SNAP2/2.0/20 |
| 2.1                 | 2.6                        | 2.05                | 2.8                    | SNAP2/2.1/10                | SNAP2/2.1/20 |
| 2.2                 | 2.6                        | 2.15                | 2.8                    | SNAP2/2.2/10                | SNAP2/2.2/20 |
| 2.3                 | 2.8                        | 2.25                | 3.0                    | SNAP2/2.3/10                | SNAP2/2.3/20 |
| 2.4                 | 2.8                        | 2.35                | 3.0                    | SNAP2/2.4/10                | SNAP2/2.4/20 |
| 2.5                 | 3.0                        | 2.45                | 3.2                    | SNAP2/2.5/10                | SNAP2/2.5/20 |
| 2.6                 | 3.0                        | 2.55                | 3.2                    | SNAP2/2.6/10                | SNAP2/2.6/20 |
| 2.7                 | 3.2                        | 2.65                | 3.4                    | SNAP2/2.7/10                | SNAP2/2.7/20 |
| 2.8                 | 3.2                        | 2.75                | 3.4                    | SNAP2/2.8/10                | SNAP2/2.8/20 |
| 2.9                 | 3.4                        | 2.85                | 3.6                    | SNAP2/2.9/10                | SNAP2/2.9/20 |

| Spare parts |   |                    |
|-------------|---|--------------------|
| Pos         | Description   | Order No.          |
| 1           | Tool body   | GH-Q-G-5024        |
|             | Tool body Assembly<br>(incl. Eccentric cam GH-S-E-0031, Roll pin GH-C-E-0811) | GH-Q-G-5025        |
| 2           | Blade housing   | see following page |
| 3           | Control bolt  | see following page |
| 4           | spring  | GH-H-F-0047        |
| 5           | Clamping screw M3x3.3   | GH-H-S-1075        |
| 6           | Set screw M4x5 DIN913   | GH-H-S-0134        |
| 7           | Eccentric cam   | GH-S-E-0031        |
| 8           | Roll pin  | GH-C-E-0811        |
| 9           | Blade   | see following page |

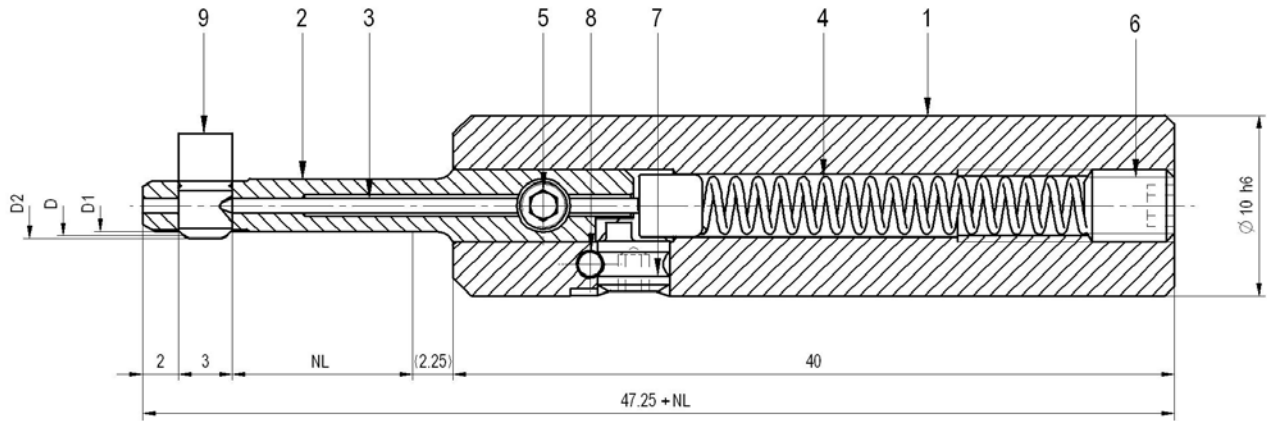
| Blade housing pos. 2 |                         |             |
|----------------------|-------------------------|-------------|
| Tool reference no.   | Blade housing order no. |             |
|                      | NL 10mm                 | NL 20mm     |
| SNAP2/2.0/...        | GH-Q-N-0001             | GH-Q-N-0061 |
| SNAP2/2.1/...        | GH-Q-N-0002             | GH-Q-N-0062 |
| SNAP2/2.2/...        | GH-Q-N-0003             | GH-Q-N-0063 |
| SNAP2/2.3/...        | GH-Q-N-0004             | GH-Q-N-0064 |
| SNAP2/2.4/...        | GH-Q-N-0005             | GH-Q-N-0065 |
| SNAP2/2.5/...        | GH-Q-N-0006             | GH-Q-N-0066 |
| SNAP2/2.6/...        | GH-Q-N-0007             | GH-Q-N-0067 |
| SNAP2/2.7/...        | GH-Q-N-0008             | GH-Q-N-0068 |
| SNAP2/2.8/...        | GH-Q-N-0009             | GH-Q-N-0069 |
| SNAP2/2.9/...        | GH-Q-N-0010             | GH-Q-N-0070 |

| Control Bolt pos. 3 |             |             |
|---------------------|-------------|-------------|
|                     | NL 10mm     | NL 20mm     |
| Order no.           | GH-Q-E-0236 | GH-Q-E-0237 |

| SNAP2 blade GS 90° geometry pos. 9 |                        |              |                   |              |           |      |
|------------------------------------|------------------------|--------------|-------------------|--------------|-----------|------|
| cham<br>fer-ø                      | front and back cutting |              | back cutting only |              | Dimension |      |
|                                    | D                      | TiAlN        | DLC               | TiAlN        | DLC       | A    |
| 2.4                                | GH-Q-M-40031           | GH-Q-M-40032 | GH-Q-M-40631      | GH-Q-M-40632 | 6.6       | 0.53 |
| 2.6                                | GH-Q-M-40051           | GH-Q-M-40052 | GH-Q-M-40651      | GH-Q-M-40652 | 6.7       | 0.57 |
| 2.8                                | GH-Q-M-40071           | GH-Q-M-40072 | GH-Q-M-40671      | GH-Q-M-40672 | 6.8       | 0.62 |
| 3.0                                | GH-Q-M-40091           | GH-Q-M-40092 | GH-Q-M-40691      | GH-Q-M-40692 | 6.9       | 0.62 |
| 3.2                                | GH-Q-M-40111           | GH-Q-M-40112 | GH-Q-M-40711      | GH-Q-M-40712 | 7.0       | 0.62 |
| 3.4                                | GH-Q-M-40131           | GH-Q-M-40132 | GH-Q-M-40731      | GH-Q-M-40732 | 7.1       | 0.62 |

from stock / non-stock item with extended delivery time  
others sizes, coatings and types available on request

### SNAP3 tool $\varnothing 3.0\text{mm}$ bis $3.9\text{mm}$



| Tool table          |                            |                     |                        |                             |              |              |
|---------------------|----------------------------|---------------------|------------------------|-----------------------------|--------------|--------------|
| Bore- $\varnothing$ | max chamfer- $\varnothing$ | Tool- $\varnothing$ | Maximal- $\varnothing$ | complete tool without blade |              |              |
| d                   | D                          | D1                  | D2                     | NL 10mm                     | NL 20mm      | NL 30mm      |
| 3.0                 | 3.6                        | 2.9                 | 3.9                    | SNAP3/3.0/10                | SNAP3/3.0/20 | SNAP3/3.0/30 |
| 3.1                 | 3.9                        | 3.0                 | 4.2                    | SNAP3/3.1/10                | SNAP3/3.1/20 | SNAP3/3.1/30 |
| 3.2                 | 3.9                        | 3.1                 | 4.2                    | SNAP3/3.2/10                | SNAP3/3.2/20 | SNAP3/3.2/30 |
| 3.3                 | 4.2                        | 3.2                 | 4.5                    | SNAP3/3.3/10                | SNAP3/3.3/20 | SNAP3/3.3/30 |
| 3.4                 | 4.2                        | 3.3                 | 4.5                    | SNAP3/3.4/10                | SNAP3/3.4/20 | SNAP3/3.4/30 |
| 3.5                 | 4.2                        | 3.4                 | 4.5                    | SNAP3/3.5/10                | SNAP3/3.5/20 | SNAP3/3.5/30 |
| 3.6                 | 4.5                        | 3.5                 | 4.8                    | SNAP3/3.6/10                | SNAP3/3.6/20 | SNAP3/3.6/30 |
| 3.7                 | 4.5                        | 3.6                 | 4.8                    | SNAP3/3.7/10                | SNAP3/3.7/20 | SNAP3/3.7/30 |
| 3.8                 | 4.5                        | 3.7                 | 4.8                    | SNAP3/3.8/10                | SNAP3/3.8/20 | SNAP3/3.8/30 |
| 3.9                 | 4.8                        | 3.8                 | 5.1                    | SNAP3/3.9/10                | SNAP3/3.9/20 | SNAP3/3.9/30 |

| Spare parts |   |                    |
|-------------|---|--------------------|
| Pos         | Description   | Order no.          |
| 1           | Tool body   | GH-Q-G-5024        |
|             | Tool body assembly<br>(incl. Eccentric cam GH-S-E-0031, Roll pin GH-C-E-0811) | GH-Q-G-5025        |
| 2           | Blade housing   | see following page |
| 3           | Control bolt  | see following page |
| 4           | spring  | GH-H-F-0047        |
| 5           | Clamping screw M3x3.3   | GH-H-S-1075        |
| 6           | Set screw M4x5 DIN913   | GH-H-S-0134        |
| 7           | Eccentric cam   | GH-S-E-0031        |
| 8           | Roll pin  | GH-C-E-0811        |
| 9           | Blade   | see following page |

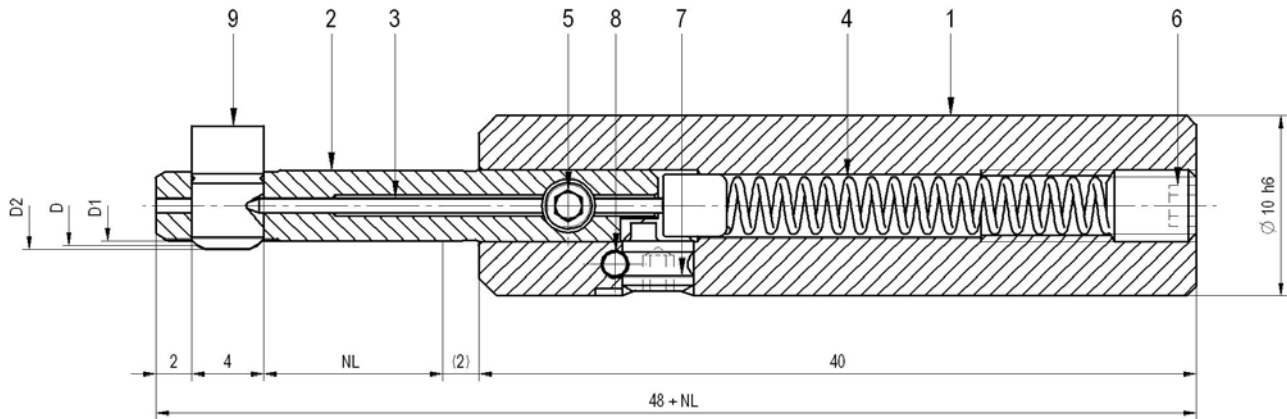
| Blade housing pos. 2 |                         |             |             |
|----------------------|-------------------------|-------------|-------------|
| Tool reference no.   | Blade housing order no. |             |             |
|                      | NL 10                   | NL 20       | NL 30       |
| SNAP3/3.0/...        | GH-Q-N-0021             | GH-Q-N-0081 | GH-Q-N-0141 |
| SNAP3/3.1/...        | GH-Q-N-0022             | GH-Q-N-0082 | GH-Q-N-0142 |
| SNAP3/3.2/...        | GH-Q-N-0023             | GH-Q-N-0083 | GH-Q-N-0143 |
| SNAP3/3.3/...        | GH-Q-N-0024             | GH-Q-N-0084 | GH-Q-N-0144 |
| SNAP3/3.4/...        | GH-Q-N-0025             | GH-Q-N-0085 | GH-Q-N-0145 |
| SNAP3/3.5/...        | GH-Q-N-0026             | GH-Q-N-0086 | GH-Q-N-0146 |
| SNAP3/3.6/...        | GH-Q-N-0027             | GH-Q-N-0087 | GH-Q-N-0147 |
| SNAP3/3.7/...        | GH-Q-N-0028             | GH-Q-N-0088 | GH-Q-N-0148 |
| SNAP3/3.8/...        | GH-Q-N-0029             | GH-Q-N-0089 | GH-Q-N-0149 |
| SNAP3/3.9/...        | GH-Q-N-0030             | GH-Q-N-0090 | GH-Q-N-0150 |

| Control bolt pos. 3 |             |             |             |
|---------------------|-------------|-------------|-------------|
|                     | NL 10mm     | NL 20mm     | NL 30mm     |
| Bestell Nr.         | GH-Q-E-0236 | GH-Q-E-0237 | GH-Q-E-0238 |

| SNAP3 blade GS 90° geometry pos. 9 |                        |              |                   |              |           |      |
|------------------------------------|------------------------|--------------|-------------------|--------------|-----------|------|
| cham<br>fer-ø                      | front and back cutting |              | back cutting only |              | Dimension |      |
|                                    | D                      | TiAlN        | DLC               | TiAlN        | DLC       | A    |
| 3.3                                | GH-Q-M-40171           | GH-Q-M-40172 | GH-Q-M-40771      | GH-Q-M-40772 | 7.1       | 0.55 |
| 3.6                                | GH-Q-M-40201           | GH-Q-M-40202 | GH-Q-M-40801      | GH-Q-M-40802 | 7.2       | 0.70 |
| 3.9                                | GH-Q-M-40231           | GH-Q-M-40232 | GH-Q-M-40831      | GH-Q-M-40832 | 7.4       | 0.85 |
| 4.2                                | GH-Q-M-40261           | GH-Q-M-40262 | GH-Q-M-40861      | GH-Q-M-40862 | 7.5       | 0.9  |
| 4.5                                | GH-Q-M-40291           | GH-Q-M-40292 | GH-Q-M-40891      | GH-Q-M-40892 | 7.7       | 0.9  |
| 4.8                                | GH-Q-M-40321           | GH-Q-M-40322 | GH-Q-M-40921      | GH-Q-M-40922 | 7.8       | 0.9  |

from stock / non-stock item with extended delivery time  
 others sizes, coatings and types available on request

### SNAP4 tool ø4.0mm bis 5.0mm



| Tool table |               |        |           |                             |              |              |
|------------|---------------|--------|-----------|-----------------------------|--------------|--------------|
| Bore-ø     | max chamfer-ø | Tool-ø | Maximal-ø | complete tool without blade |              |              |
| d          | D             | D1     | D2        | NL 10mm                     | NL 20mm      | NL 30mm      |
| 4.0        | 5.2           | 3.9    | 5.6       | SNAP4/4.0/10                | SNAP4/4.0/20 | SNAP4/4.0/30 |
| 4.1        | 5.6           | 4.0    | 6.0       | SNAP4/4.1/10                | SNAP4/4.1/20 | SNAP4/4.1/30 |
| 4.2        | 5.6           | 4.1    | 6.0       | SNAP4/4.2/10                | SNAP4/4.2/20 | SNAP4/4.2/30 |
| 4.3        | 5.6           | 4.2    | 6.0       | SNAP4/4.3/10                | SNAP4/4.3/20 | SNAP4/4.3/30 |
| 4.4        | 5.6           | 4.3    | 6.0       | SNAP4/4.4/10                | SNAP4/4.4/20 | SNAP4/4.4/30 |
| 4.5        | 6.0           | 4.4    | 6.4       | SNAP4/4.5/10                | SNAP4/4.5/20 | SNAP4/4.5/30 |
| 4.6        | 6.0           | 4.5    | 6.4       | SNAP4/4.6/10                | SNAP4/4.6/20 | SNAP4/4.6/30 |
| 4.7        | 6.0           | 4.6    | 6.4       | SNAP4/4.7/10                | SNAP4/4.7/20 | SNAP4/4.7/30 |
| 4.8        | 6.0           | 4.7    | 6.4       | SNAP4/4.8/10                | SNAP4/4.8/20 | SNAP4/4.8/30 |
| 4.9        | 6.4           | 4.8    | 6.8       | SNAP4/4.9/10                | SNAP4/4.9/20 | SNAP4/4.9/30 |
| 5.0        | 6.4           | 4.9    | 6.8       | SNAP4/5.0/10                | SNAP4/5.0/20 | SNAP4/5.0/30 |

| Spare parts |   |                    |
|-------------|---|--------------------|
| Pos         | Description   | Order no.          |
| 1           | Tool body   | GH-Q-G-5024        |
|             | Tool body assembly<br>(incl. Eccentric cam GH-S-E-0031, Roll pin GH-C-E-0811) | GH-Q-G-5025        |
| 2           | Blade housing   | see following page |
| 3           | Control bolt  | see following page |
| 4           | spring  | GH-H-F-0047        |
| 5           | Clamping screw M3x3.3   | GH-H-S-1075        |
| 6           | Set screw M4x5 DIN913   | GH-H-S-0134        |
| 7           | Eccentric cam   | GH-S-E-0031        |
| 8           | Roll pin  | GH-C-E-0811        |
| 9           | Blade   | see following page |


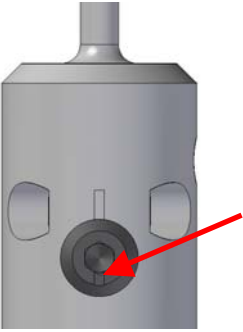
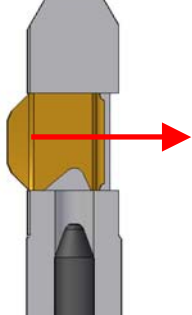
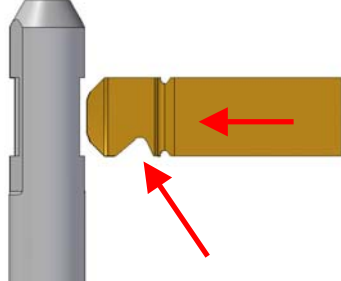
| Blade housing pos. 2 |                         |             |             |
|----------------------|-------------------------|-------------|-------------|
| Tool reference no.   | Blade housing order no. |             |             |
|                      | NL 10                   | NL 20       | NL 30       |
| SNAP4/4.0/...        | GH-Q-N-0041             | GH-Q-N-0101 | GH-Q-N-0161 |
| SNAP4/4.1/...        | GH-Q-N-0042             | GH-Q-N-0102 | GH-Q-N-0162 |
| SNAP4/4.2/...        | GH-Q-N-0043             | GH-Q-N-0103 | GH-Q-N-0163 |
| SNAP4/4.3/...        | GH-Q-N-0044             | GH-Q-N-0104 | GH-Q-N-0164 |
| SNAP4/4.4/...        | GH-Q-N-0045             | GH-Q-N-0105 | GH-Q-N-0165 |
| SNAP4/4.5/...        | GH-Q-N-0046             | GH-Q-N-0106 | GH-Q-N-0166 |
| SNAP4/4.6/...        | GH-Q-N-0047             | GH-Q-N-0107 | GH-Q-N-0167 |
| SNAP4/4.7/...        | GH-Q-N-0048             | GH-Q-N-0108 | GH-Q-N-0168 |
| SNAP4/4.8/...        | GH-Q-N-0049             | GH-Q-N-0109 | GH-Q-N-0169 |
| SNAP4/4.9/...        | GH-Q-N-0050             | GH-Q-N-0110 | GH-Q-N-0170 |
| SNAP4/5.0/...        | GH-Q-N-0051             | GH-Q-N-0111 | GH-Q-N-0171 |

| Control bolt pos. 3 |             |             |             |
|---------------------|-------------|-------------|-------------|
|                     | NL 10mm     | NL 20mm     | NL 30mm     |
| Bestell Nr.         | GH-Q-E-0236 | GH-Q-E-0237 | GH-Q-E-0238 |

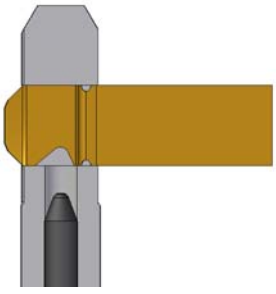

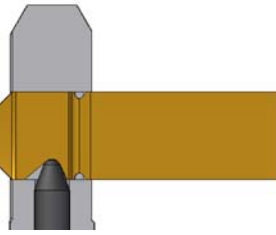
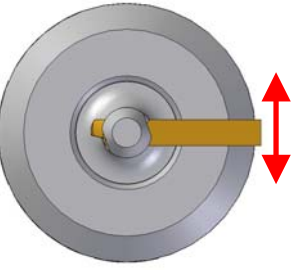

| SNAP4 blade GS 90° geometry pos. 9 |                        |              |                   |              |           |      |
|------------------------------------|------------------------|--------------|-------------------|--------------|-----------|------|
| cham<br>fer-ø                      | front and back cutting |              | back cutting only |              | Dimension |      |
|                                    | D                      | TiAlN        | DLC               | TiAlN        | DLC       | A    |
| 4.4                                | GH-Q-M-40381           | GH-Q-M-40382 | GH-Q-M-40981      | GH-Q-M-40982 | 7.7       | 0.65 |
| 4.8                                | GH-Q-M-40421           | GH-Q-M-40422 | GH-Q-M-41021      | GH-Q-M-41022 | 7.9       | 0.85 |
| 5.2                                | GH-Q-M-40461           | GH-Q-M-40462 | GH-Q-M-41061      | GH-Q-M-41062 | 8.1       | 1.05 |
| 5.6                                | GH-Q-M-40501           | GH-Q-M-40502 | GH-Q-M-41101      | GH-Q-M-41102 | 8.3       | 1.20 |
| 6.0                                | GH-Q-M-40541           | GH-Q-M-40542 | GH-Q-M-41141      | GH-Q-M-41142 | 8.5       | 1.20 |
| 6.4                                | GH-Q-M-40581           | GH-Q-M-40582 | GH-Q-M-41181      | GH-Q-M-41182 | 8.7       | 1.20 |

from stock / non-stock item with extended delivery time  
others sizes, coatings and types available on request

### SNAP2/3/4 blade change

|   |   |
|---|---|
|    | <p><b>Initial situation:</b></p> <p>Tool with SNAP2 blade assembled.</p>  |
|   | <p>Turn eccentric screw 180° until the notch points away from the blade housing. (backwards or downwards)</p>   |
|  | <p>By turning the eccentric screw the leading pin is pulled backwards out of the pin groove of the blade, hence the blade can be pushed out in arrow direction.</p>             |
|  | <p>By assembly a new blade (blade with integrated assembly aid) watch that entering with the blade cutting side ahead from the blade housing side having no chip clearance.</p> |



|   |   |
|---|---|
|    | <p>The blade with integrated assembly aid must be slid in so far until the pin groove of the blade is located over the pin cross hole. As optical assistance watch that the SNAP2 cutting edge sticks out completely on the blade housing side having the chip clearance.</p>   |
|    | <p>Back off the eccentric screw 180° until the notch points again in blade housing direction. (in front or up)</p>  |
|   | <p>By turning back the eccentric screw the leading pin is pushed back into the pin groove of the blade.</p>   |
|  | <p>To remove the blade assembly aid put back the blade with integrated assembly aid approx. 0.4mm with the finger until the predetermined breaking point is located at the position of the blade window. Afterwards the assembly aid (overhanging part) has to be broken off with the thumb and the forefinger clockwise or counter-clockwise. By releasing the blade it moves in the initial position.</p> |
|  | <p><b>End position:</b></p> <p>Tool with SNAP2 blade assembled.</p>   |